

Horizontal latch type toggle clamps

Steel / Stainless Steel, with safety hook, with pulling action

SPECIFICATION

Types

- Type **T6**: with U-bolt latch, with catch
- Type **T**: without U-bolt latch, with catch

Version in Steel

Case-hardened Steel C10
zinc plated, blue passivated

U-bolt latch
Steel St 37
zinc plated, blue passivated

All moving parts
lubricated with special grease

Handle with plastic sleeve
red, oil resistant

Version in Stainless Steel A4

Sheet metal parts / U-bolt latch / Pin
Stainless Steel AISI 316L

All moving parts
lubricated with special grease

Handle with plastic sleeve
red, oil resistant



INFORMATION

GN 851.3 horizontal latch type toggle clamps are compact in design and can be used to ensure high holding capacities.

When closing the spanner, a safety hook positively locks onto the body. This prevents the inadvertent or vibration-induced release from the clamping position. To open the safety hook it is unlocked per one-hand operation.

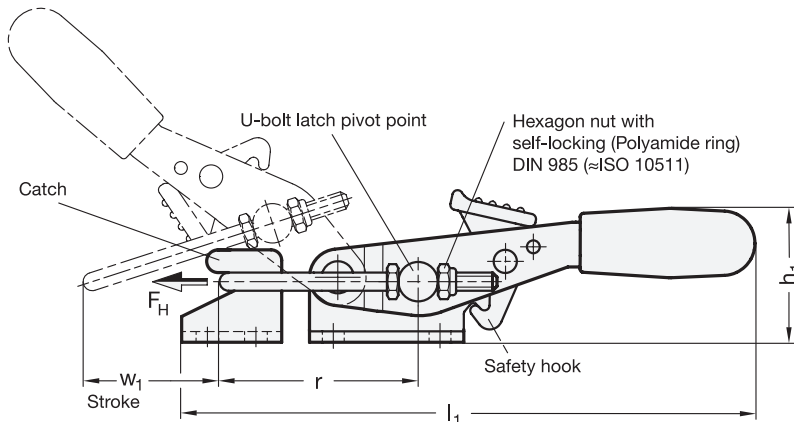
The stroke of the U-bolt latch can be adjusted within its range.

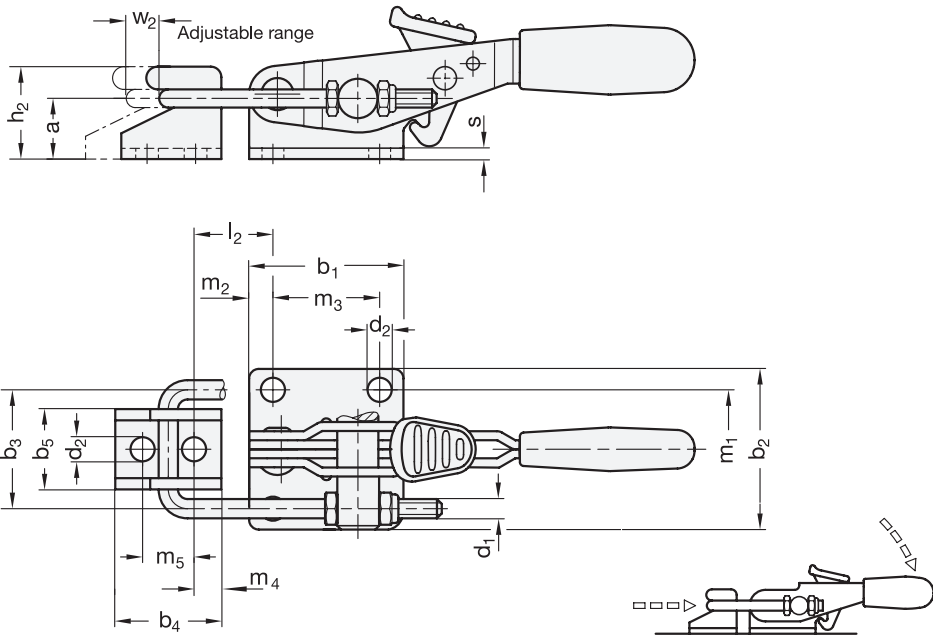
In addition to the standard lengths for the U-bolt latch shown above, more lengths may be achieved by using series GN 951.1 square U-bolts (see page 1604).

- General information for toggle clamps (see page 1560)

TECHNICAL INFORMATION

- Stainless Steel characteristics (see page A26)





GN 851.3

Description	Size	FH in N	a	b1	b2	b3	b4	b5	d1	d2	h1 ≈	h2	l1 ≈	l2 min.	m1	m2	m3	m4	m5	r ≈	s	w1	w2 ≈	Δ
GN 851.3-160-T6	160	1600	12	26	28	21	20	14	M 4	4.3	31	18	99	11	19	5	16	5	10	35	2	25	11	80
GN 851.3-320-T6	320	3200	16	40	44	32	28	22	M 6	6.5	45	25	166	20	32	10.5	19	7	14.3	54	3	35	13	280
GN 851.3-700-T6	700	7000	24	60	54	38	38	26	M 8	8.5	56	36	217	25	38	9.5	41.5	9.5	19	70	3.5	49	26	595
GN 851.3-160-T	160	1600	-	26	28	-	20	14	-	4.3	31	18	-	-	19	5	16	5	10	-	2	-	-	100
GN 851.3-320-T	320	3200	-	40	44	-	28	22	-	6.5	45	25	-	-	32	10.5	19	7	14.3	-	3	-	-	256
GN 851.3-700-T	700	7000	-	60	54	-	38	26	-	8.5	56	36	-	-	38	9.5	41.5	9.5	19	-	3.5	-	-	505

GN 851.3-A4

STAINLESS STEEL

Description	Size	FH in N	a	b1	b2	b3	b4	b5	d1	d2	h1 ≈	h2	l1 ≈	l2 min.	m1	m2	m3	m4	m5	r ≈	s	w1	w2 ≈	Δ
GN 851.3-160-T6-A4	160	1600	12	26	28	21	20	14	M 4	4.3	31	18	99	11	19	5	16	5	10	35	2	25	11	92
GN 851.3-320-T6-A4	320	3200	16	40	44	32	28	22	M 6	6.5	45	25	166	20	32	10.5	19	7	14.3	54	3	35	13	300
GN 851.3-700-T6-A4	700	7000	24	60	54	38	38	26	M 8	8.5	56	36	217	25	38	9.5	41.5	9.5	19	70	3.5	49	26	595
GN 851.3-160-T-A4	160	1600	-	26	28	-	20	14	-	4.3	31	18	-	-	19	5	16	5	10	-	2	-	-	80
GN 851.3-320-T-A4	320	3200	-	40	44	-	28	22	-	6.5	45	25	-	-	32	10.5	19	7	14.3	-	3	-	-	261
GN 851.3-700-T-A4	700	7000	-	60	54	-	38	26	-	8.5	56	36	-	-	38	9.5	41.5	9.5	19	-	3.5	-	-	499

